

INSTALLATION INSTRUCTIONS

CUSTOMER SERVICE

Phone: 866-900-8800 • 8:30 am - 5:00 pm Mon - Fri CST

Email: info@undercoverinfo.com



MODEL SPECIFIC GUIDE

HIDDEN HINGE VERSION

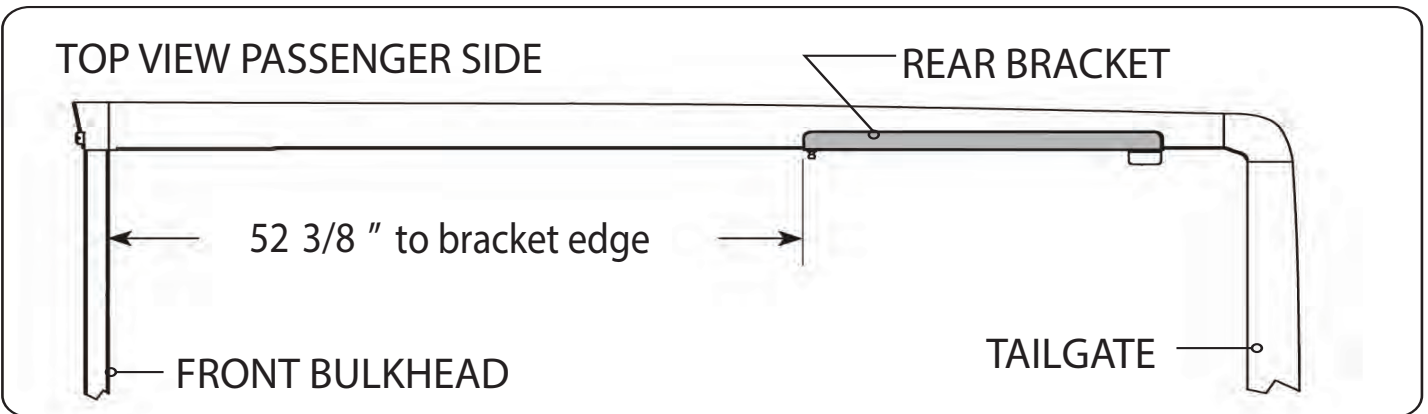
1126

Model 1126 Chevy Silverado Std/Ext/Crew Cab 6.5' Short Bed 2014-2018 & 2019 Legacy Silverado

(Will not fit 2014 Silverado 2500 HD) (Will fit 2015-2019 Silverado 2500-3500 HD)

RE: Step 2 on the Quick Start Guide.

Measurement for the rear mounting bracket is 52 3/8" from the back side of the bulkhead to the front edge of the bracket.



RE: Step 3 on the Quick Start Guide

Measurement for the front mounting bracket is 16" from the back side of the bulkhead to the end of the bracket.

The fit of the cover to the truck bed is determined by the front mounting brackets. This measurement is a good starting point. Unfortunately not all truck beds are assembled 100% square, so some adjustments may be necessary after the cover is set on the truck.

